

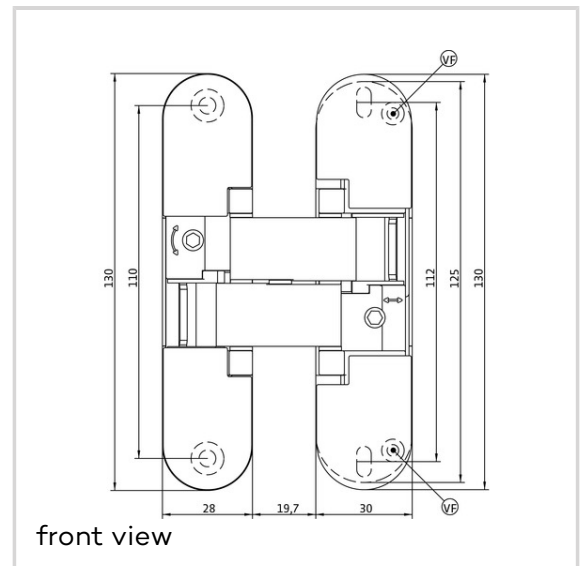
AN 161 3D FVZ 12/38

for unrebbated 38 mm thick residential doors with 12 mm recessed frame facings up to 60 kg



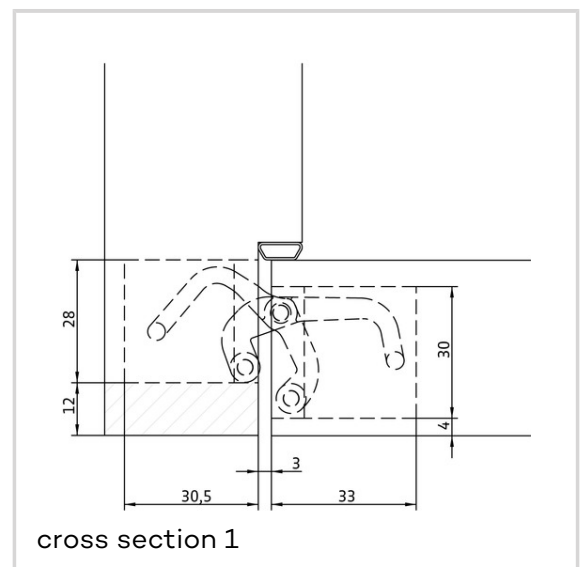
Product features

- FVZ = recessed frames
- recessed frames up to 12 mm
- door thickness 38 mm
- completely concealed hinge system
- for timber and aluminium frames
- for unrebbated residential doors
- 3D adjustment (side +/- 1,5 mm, height +/- 2,5 mm, compression +/- 1,0 mm)
- central installation
- material zamak



Technical data

Property	Value
Load capacity	60,0 kg
Overall length	130,0 mm
Width (door part)	30,0 mm
Width (frame part)	28,0 mm
Cutter diameter	16,0 mm
Collar ring diameter	27,0 mm
Opening angle	180°



ANSELMi - AN 161 3D FVZ 12/38

Notes

The load capacity mentioned above refers to the use of 2 hinges per door leaf (900 x 2100 mm).

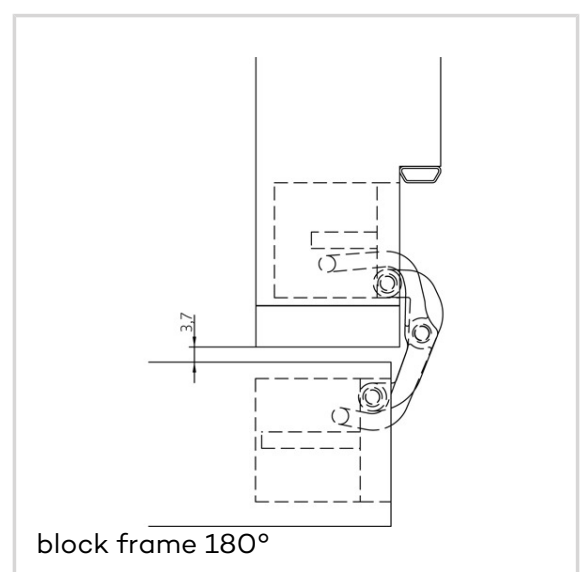
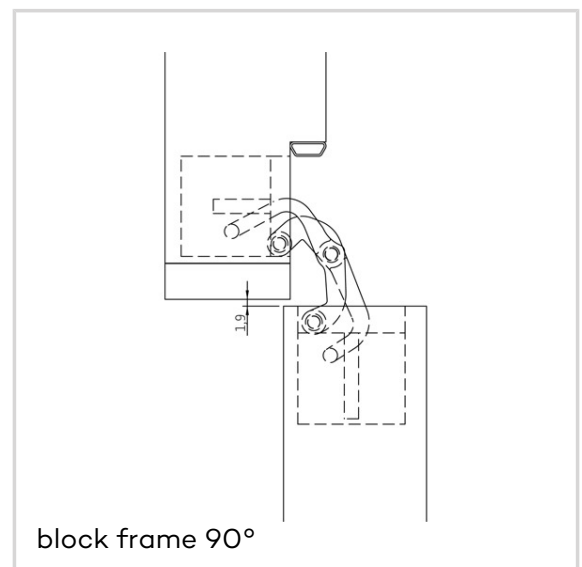
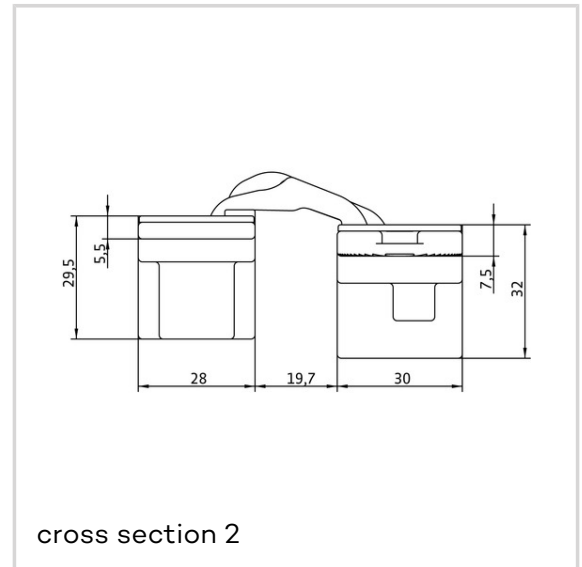
Suggested screws: Frame side: Countersunk head screws DIN 7505 A, Diameter 5,0 mm Door side: Pan head screws DIN 7505 B, Diameter 4,0 mm

If necessary, it is possible to lock the vertical adjustment of the hinge by means of a fixing screw (VF).

Alternatively, the routing can be carried out with a cutter diameter of 14,0 mm and a collar ring diameter of 25,0 mm.

Item versions

Finish	Satin Chrome (AN O14)
VPE	pack of 2
DIN	DIN right and left hand
EAN	8054608703360
Finish	Black (AN O18)
VPE	pack of 2
DIN	DIN right and left hand
EAN	8054608703384
Finish	Antique Bronze (AN O35)
VPE	pack of 2
DIN	DIN right and left hand
EAN	8054608703568
Finish	Aluminium Chrome (AN O36)
VPE	pack of 2
DIN	DIN right and left hand
EAN	8054608703414
Finish	Polished Brass (AN O37)



ANSELMi - AN 161 3D FVZ 12/38

VPE	pack of 2
DIN	DIN right and left hand
EAN	8054608703421
Finish	Polished Chrome (AN 039)
VPE	pack of 2
DIN	DIN right and left hand
EAN	8054608703438
Finish	Satin Nickel (AN 044)
VPE	pack of 2
DIN	DIN right and left hand
EAN	8054608703391
Finish	RAL 9016 Traffic White (AN 049)
VPE	pack of 2
DIN	DIN right and left hand
EAN	8054608703407